

**PACKAGED AUTOMATIC PUMPS
(Suitable for steam supply)
POP-KD (Duplex)**

DESCRIPTION

The ADCAMat POP-K packaged pump units can be used to lift or displace hot condensate and other liquids even in hazardous areas. A POP-KD (Duplex) packaged unit is comprised by two ADCAMat pumps in parallel, a vented receiver and all auxiliary items, compactly mounted on a metal frame, piped and ready for connection. Packaged units save time, work and site costs. In addition, they ensure that the installation of the pump is correct in every detail. Packaged units for operation with compressed air are also available.

MAIN FEATURES

- Fully assembled and tested, saving design, assembly and commissioning time.
- Compactly mounted in a structural steel metal frame to minimize required floor space.
- Designed to lift and transfer hot condensate and other liquids.
- Suitable for operation in hazardous areas (Ex safe).
- Ensures optimal pump performance from start-up with trouble-free operation.
- Two pumps operating in parallel for higher flow rates.

OPTIONS: Version for operation using compressed air and motive fluid.
Alternative configurations and designs.

AVAILABLE MODELS: POPS-KD – carbon steel.
POPSS-KD – stainless steel.

CONNECTIONS: Flanged EN 1092-1 PN 16.
Others on request.

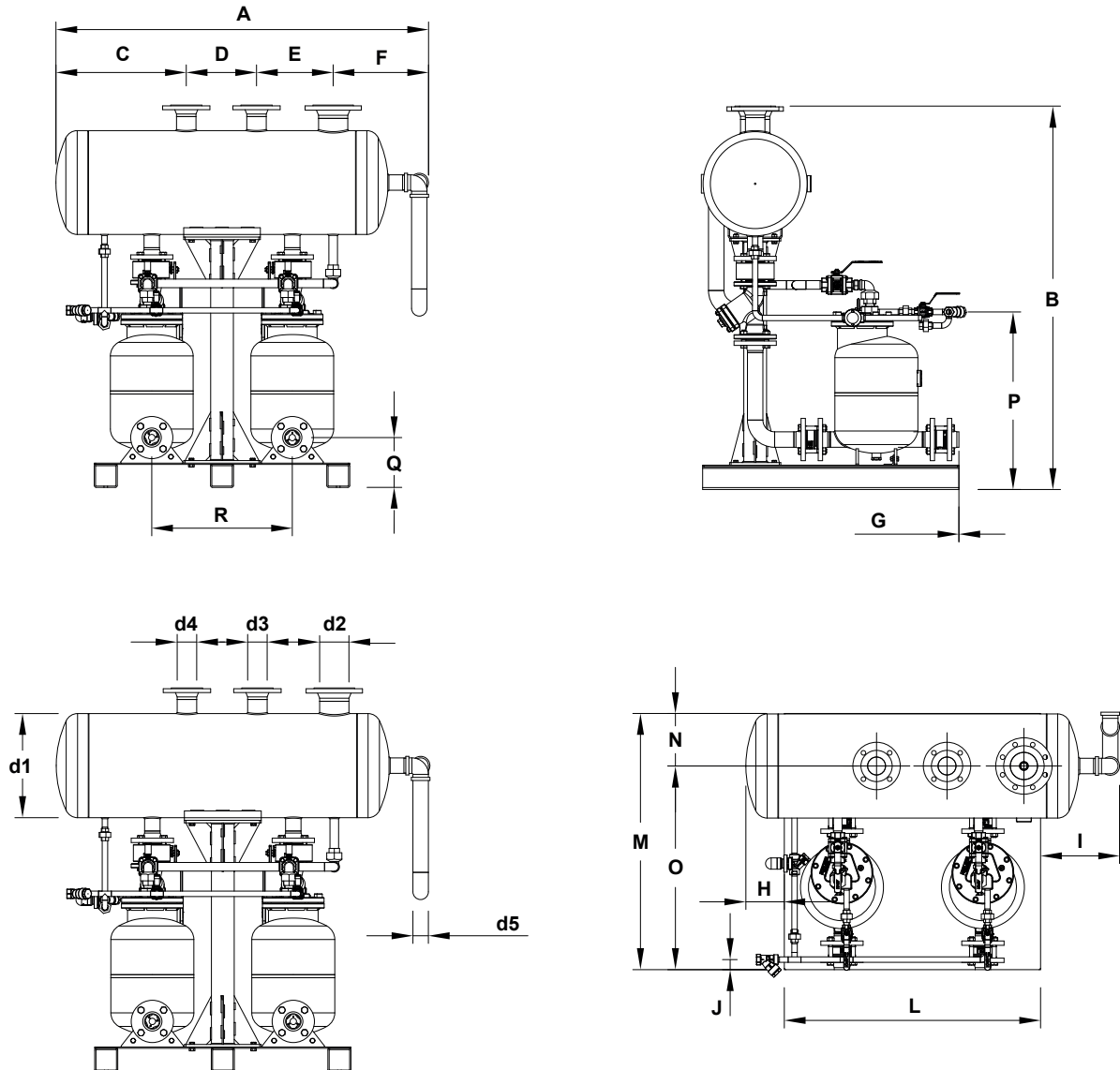
INSTALLATION: See IMI – Installation and maintenance instructions.

HOW TO ORDER: Example: ADCAMat POP-KD carbon steel packaged pump, steam operated, flanged PN 16 DN 80 x 50.



CE MARKING – GROUP 2 (PED – EUROPEAN DIRECTIVE)	
PN 16	CATEGORY
All sizes	2 (CE marked)

LIMITING CONDITIONS	
Receiver – Max. operating pressure	0,5 bar
Pump	See IS POP.025

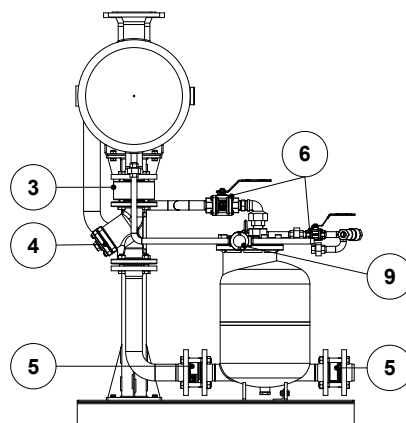
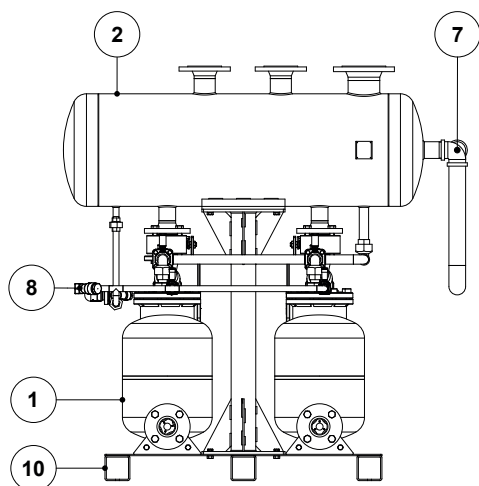


DIMENSIONS (mm)																	
SIZE	A	B	C	D	E	F	G	H	I	J	L	M	N	O	P	Q	R
2 x 2" x 2" 2 x DN 50 x 50	1460	1497	510	275	300	374	-	150	309	29	1000	1000	205	795	693	195	550
2 x 3" x 2" 2 x DN 80 x 50	1509	1509	535	275	300	398	96	175	303	42	1000	1000	205	795	703	208	550

Dimensions subject to change without notice. Consult manufacturer for certified dimensions and weight.

CONNECTION SIZES					
SIZE	d1 (mm)	d2	d3	d4	d5
2 x 2" x 2" 2 x DN 50 x 50	406	4" – DN 100	2 1/2" – DN 65	2 1/2" – DN 65	2"
2 x 3" x 2" 2 x DN 80 x 50	406	6" – DN 150	3" – DN 80	3" – DN 80	2"

d2 – vent; d3 and d4 – condensate inlets; d5 – overflow.



EQUIPMENT	
POS. No.	DESIGNATION
1	POP pump
2	Receiver
3	MWS1 wafer ball valve (POPS-KD)
	MWi1 wafer ball valve (POPSS-KD)
4	IS16F strainer (POPS-KD)
	IS40Ti (POPSS-KD)
5	RD40 disc check valve
6	M3i ball valves
7	Overflow
8	IS140 Y strainer
9	UCX41 + UBS20 steam trap
10	Metal frame