

## AIR AND GAS FLOAT TRAPS FA25.3 (SG iron ; 1 1/2" and 2" – DN 40 and DN 50)

### DESCRIPTION

The ADCA FA25.3 is a series of fully automatic ball float traps specially designed for condensate drainage in compressed air and gas systems.

Typical applications include aftercoolers, separators and compressed air mains.

### MAIN FEATURES

Modulating discharge.

Unaffected by sudden or wide load and pressure variations.

Flow direction can be easily changed by repositioning the body in relation to the mechanism and cover.

**OPTIONS:** Equalizing (vent) and drain connections.  
BDV – Blowdown valve.  
AFZ – Anti-freeze device.  
FLL – Float lifting lever.

**USE:** Compressed air and other non corrosive gases compatible with the construction.

**AVAILABLE MODELS:** FA25.3-4,5, FA25.3-10 and FA25.3-14 – SG iron.

**SIZES:** 1 1/2" and 2"; DN 40 and DN 50.

**CONNECTIONS:** Female threaded ISO 7 Rp or NPT.  
Flanged EN 1092-2 PN 16.  
Flanged ASME B16.42 Class 150.

**INSTALLATION:** Horizontal or vertical installation.

**ΔPMX:** FA25.3-4,5 – 4,5 bar  
FA25.3-10 – 10 bar  
FA25.3-14 – 14 bar



CE MARKING – GROUP 2 (PED – EUROPEAN DIRECTIVE)	
PN 16	CATEGORY
1 1/2" and 2" – DN 40 and 50	SEP

BODY LIMITING CONDITIONS		
FLANGED PN 16 *	FLANGED CLASS 150 **	RELATED TEMPERATURE
ALLOWABLE PRESSURE	ALLOWABLE PRESSURE	
16 bar	16 bar	100 °C
15,5 bar	14,8 bar	150 °C
14,7 bar	13,9 bar	200 °C
13,9 bar	12,1 bar	250 °C

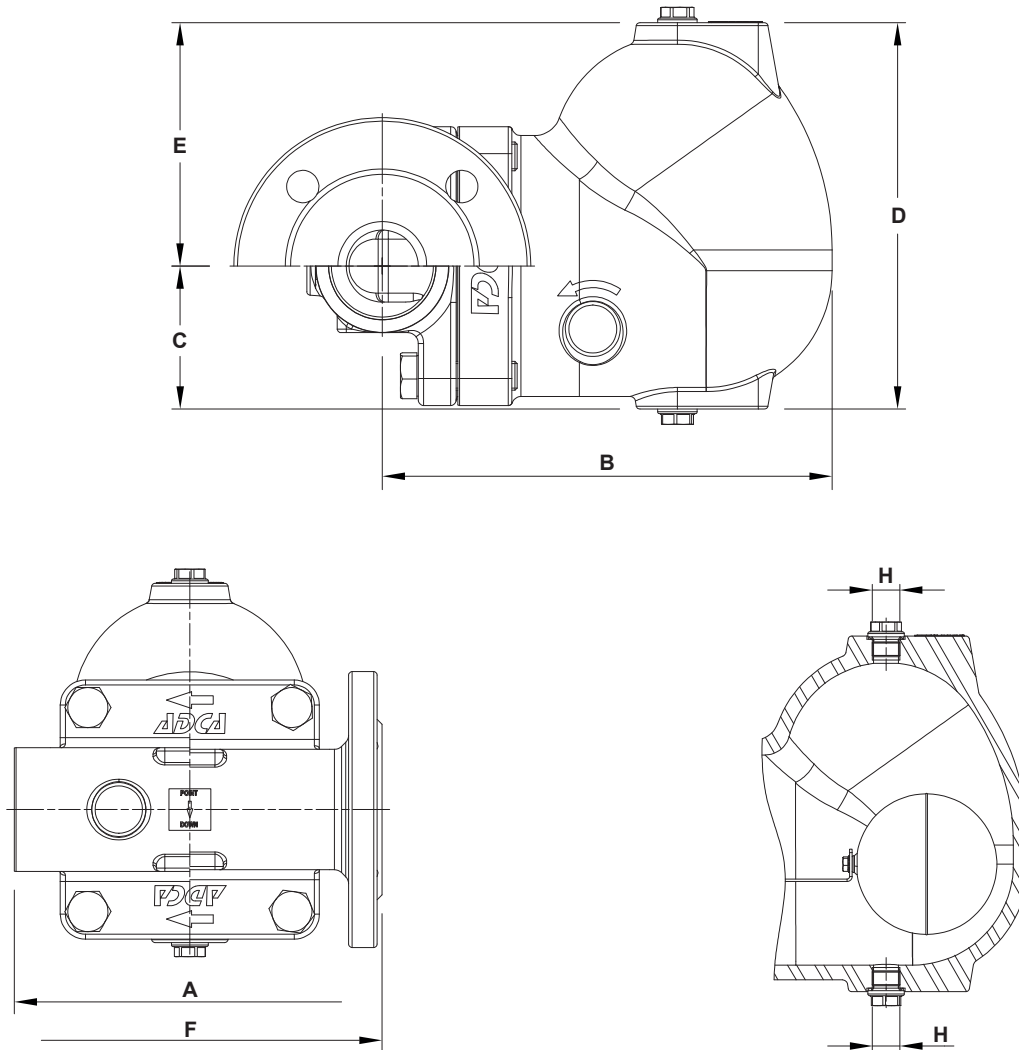
PMO – Maximum operating pressure: 14 bar; TMO – Maximum operating temperature: 250 °C.

Minimum liquid specific weight: 0,75 kg/dm³.

\* According to EN 1092-2:2018; \*\* According to ASME B16.42.

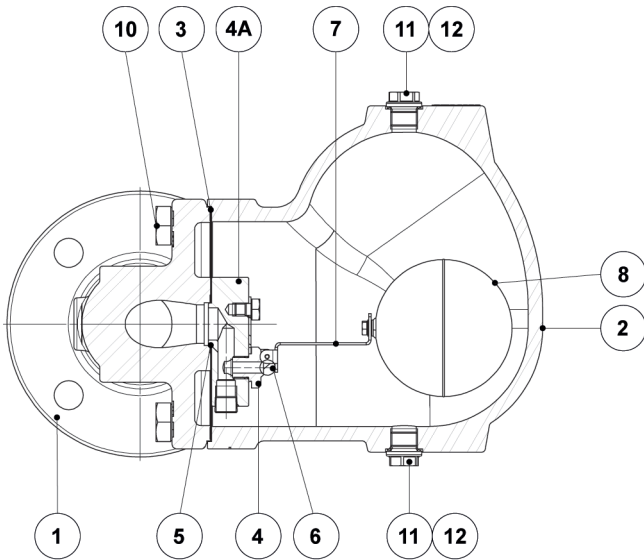
Body limiting conditions PN 16 or below, depending on the type of connection adopted. PN 16 for threaded version.

FLOW RATE CAPACITY (kg/h)										
MODEL	SIZE	DIFFERENTIAL PRESSURE (bar)								
		0,5	1	1,5	2	4,5	7	10	12	14
FA25.3-4,5	1 1/2" and 2" – DN 40 and 50	995	1450	1710	2000	2990	–	–	–	–
FA25.3-10	1 1/2" and 2" – DN 40 and 50	505	720	850	1010	1600	1890	2300	–	–
FA25.3-14	1 1/2" and 2" – DN 40 and 50	370	520	610	735	1150	1430	1620	1750	1980



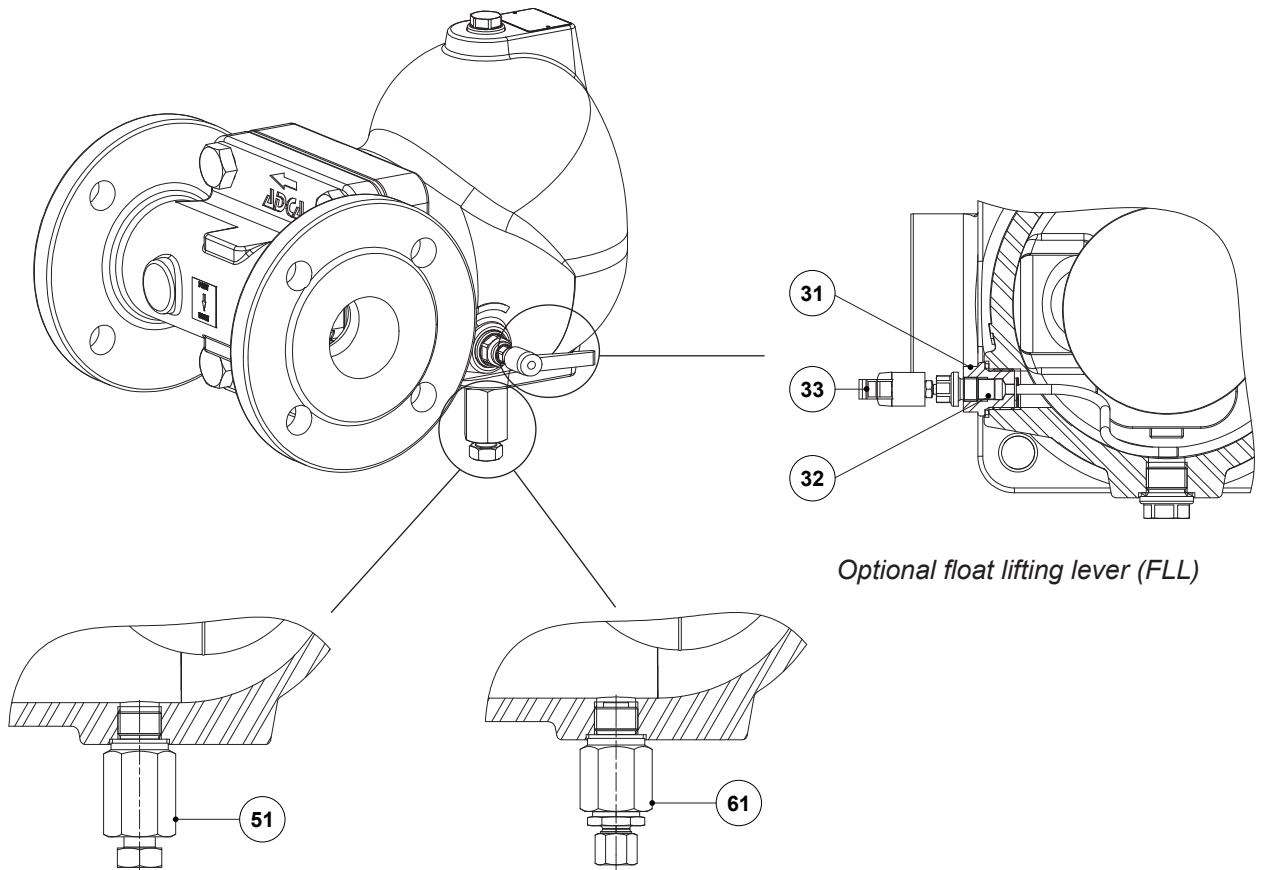
DIMENSIONS (mm)													
SIZE	THREADED							PN 16			CLASS 150		
	A	B	C	D	E	H *	WEIGHT (kg)	F	B	WEIGHT (kg)	F	B	WEIGHT (kg)
1 1/2" – DN 40	210	250	80	215	136	3/8"	18,9	230	250	21,7	230	250	20,2
2" – DN 50	210	250	80	215	136	3/8"	18,2	230	250	23,6	230	250	21,5

\* As standard, in versions with EN flanges and female ISO 7 Rp threads, these connections are female threaded ISO 228. In versions with ASME flanges or female NPT threads, these connections are female threaded NPT.



MATERIALS		
POS. No.	DESIGNATION	MATERIAL
1	Body	GJS-400-15 / 0.7040
2	Cover	GJS-400-15 / 0.7040
3	* Gasket	Stainless steel / Graphite
4	* Seat	AISI 410 / 1.4006
4A	Mounting plate	AISI 316 / 1.4401
5	* Gasket	Graphite
6	* Valve ball	AISI 440C / 1.4125
7	* Lever	AISI 304 / 1.4301
8	* Float	AISI 304 / 1.4301
10	Bolt	Zinc plated steel
11	Plug	AISI 316L / 1.4404
12	** Gasket	Copper; AISI 304 / 1.4301
31	Lever mechanism	AISI 303 / 1.4305; AISI 304 / 1.4301; AISI 316L / 1.4404
32	Packing	Graphite
33	Lever	Plastic
51	Blowdown valve	AISI 303 / 1.4305; AISI 316L / 1.4404
61	Anti-freeze device	AISI 303 / 1.4305; AISI 316L / 1.4404

\* Available spare parts; \*\* Not applicable in NPT version.

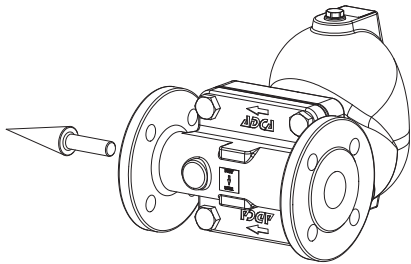


Optional float lifting lever (FLL)

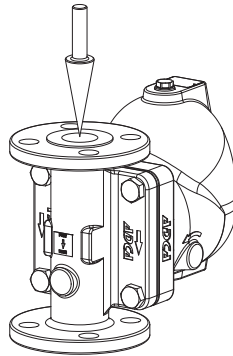
Optional blowdown valve (BDV);  
Manual

Optional anti-freeze device (AFZ);  
Automatic

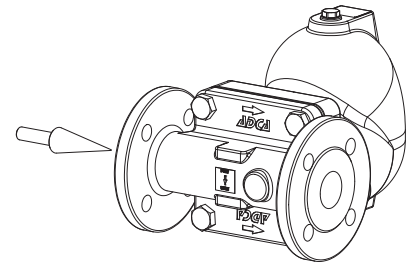
**FLOW DIRECTION**



*R - Horizontal from right to left*



*V - Vertical from top to bottom*



*L - Horizontal from left to right*

ORDERING CODES FA25.3										
<b>MODEL</b>	FA253	2	M	XX	X	IR	A	40		
FA25.3 – GJS-400-15 / 0.7040 SG iron	FA253									
<b>MAXIMUM ALLOWABLE DIFFERENTIAL PRESSURE (ΔPMX)</b>										
4,5 bar		2								
10 bar		3								
14 bar		4								
<b>VALVE SEALING</b>										
Metal to metal			M							
<b>COVER CONNECTIONS</b>										
None				XX						
3/8" threaded connections on top and bottom, closed with plugs (mandatory if any options are considered)				10						
<b>OPTIONS</b>										
BDV and AFZ have specific separated ordering codes, please refer to the appropriate documentation										
<b>FLL - FLOAT LIFTING LEVER</b>										
None					X					
Lifting lever on the right side (when facing the steam trap body)					R					
Lifting lever on the left side (when facing the steam trap body)					L					
<b>FLOW DIRECTION</b>										
Horizontal from right to left (standard)						IR				
Horizontal from left to right						IL				
Vertical from top to bottom						IT				
<b>PIPE CONNECTIONS</b>										
Female threaded ISO 7 Rp							A			
Female threaded NPT							C			
Flanged EN 1092-2 PN 16							L			
Flanged ASME B16.42 Class 150							U			
<b>SIZE</b>										
11/2" or DN 40								40		
2" or DN 50								50		
<b>SPECIAL CONSTRUCTION / ADDITIONAL OPTIONS</b>										
A full description must to be provided and validated in case of a non-standard construction										E