

FLOAT AND THERMOSTATIC STEAM TRAPS FLT151

DESCRIPTION

The ADCA FLT151 is a series of high capacity float and thermostatic steam traps with integral air vent, designed for modulating discharge of condensate to ensure maximum system heat transfer.

Specially designed for applications where continuous drainage is essential and extremely high loads are involved, such as those found in sugar and alcohol refineries.

MAIN FEATURES

High capacity.
Modulating discharge of condensate at steam temperature.
Unaffected by sudden or wide load and pressure variations.
No backing-up with condensate.
Excellent air discharge through its integrated thermostatic air vent.

OPTIONS: Stainless steel construction.
 Level gauge.
 HVV – Hand vent valve.
 VB21M – Vacuum breaker.

USE: Saturated steam.

AVAILABLE
MODELS: FLT151S-O – carbon steel.

SIZES: 4" to 6"; DN 100 to DN 150.

CONNECTIONS: Flanged EN 1092-1 PN 16.
 Flanged ASME B16.5 Class 150.

INSTALLATION: Horizontal installation.
 See IMI – Installation and maintenance instructions.



CE MARKING – GROUP 2 (PED – EUROPEAN DIRECTIVE)	
PN 16	CATEGORY
4" to 6" DN 100 to 150	3 (CE marked)

BODY LIMITING CONDITIONS *	
FLANGED PN 16 / CLASS 150	RELATED TEMPERATURE
ALLOWABLE PRESSURE	
16 bar	50 °C
14,8 bar	100 °C
13,3 bar	200 °C
12,1 bar	250 °C

PMO – Maximum operating pressure: 12 bar.
TMO – Maximum operating temperature: 250 °C.
Min. operating temperature: 20 °C (-10 °C on request).
* According to EN 1092-1:2018.

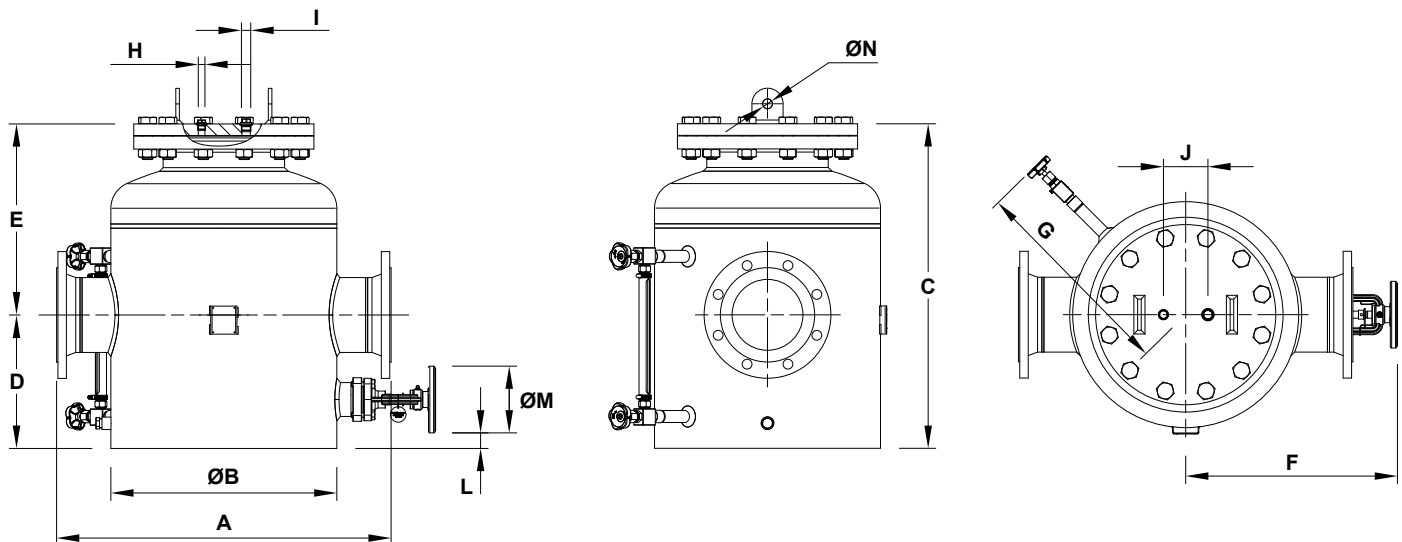
FLOW RATE CAPACITY WITH MECHANISM AND ORIFICE (kg/h)

MODEL	ORIFICE N°	O1	O2	O3	O4	O5	O6	MAXIMUM ΔQ
	ΔP (bar)	4" – DN 100				6" – DN 150		
FLT151S-O	0,1	22300	24100	26600	33700	43600	56400	18800
	0,3	27400	30300	34200	45400	61200	81400	22700
	0,7	32200	36200	41800	57700	79900	108600	26200
	1	34700	39500	46500	65800	93100	128100	27700
	1,4	37000	42600	50500	72900	104400	144900	29200
	2	40700	47600	57200	84800	144900	172900	31700

Example: One FLT151-O DN150-O5 (with orifice n° 5), operating at a D.P. of 0,3 bar, must have a minimum flow of 38500 kg/h (61200-22700).

FLOW RATE CAPACITY WITH MECHANISM ONLY (kg/h)

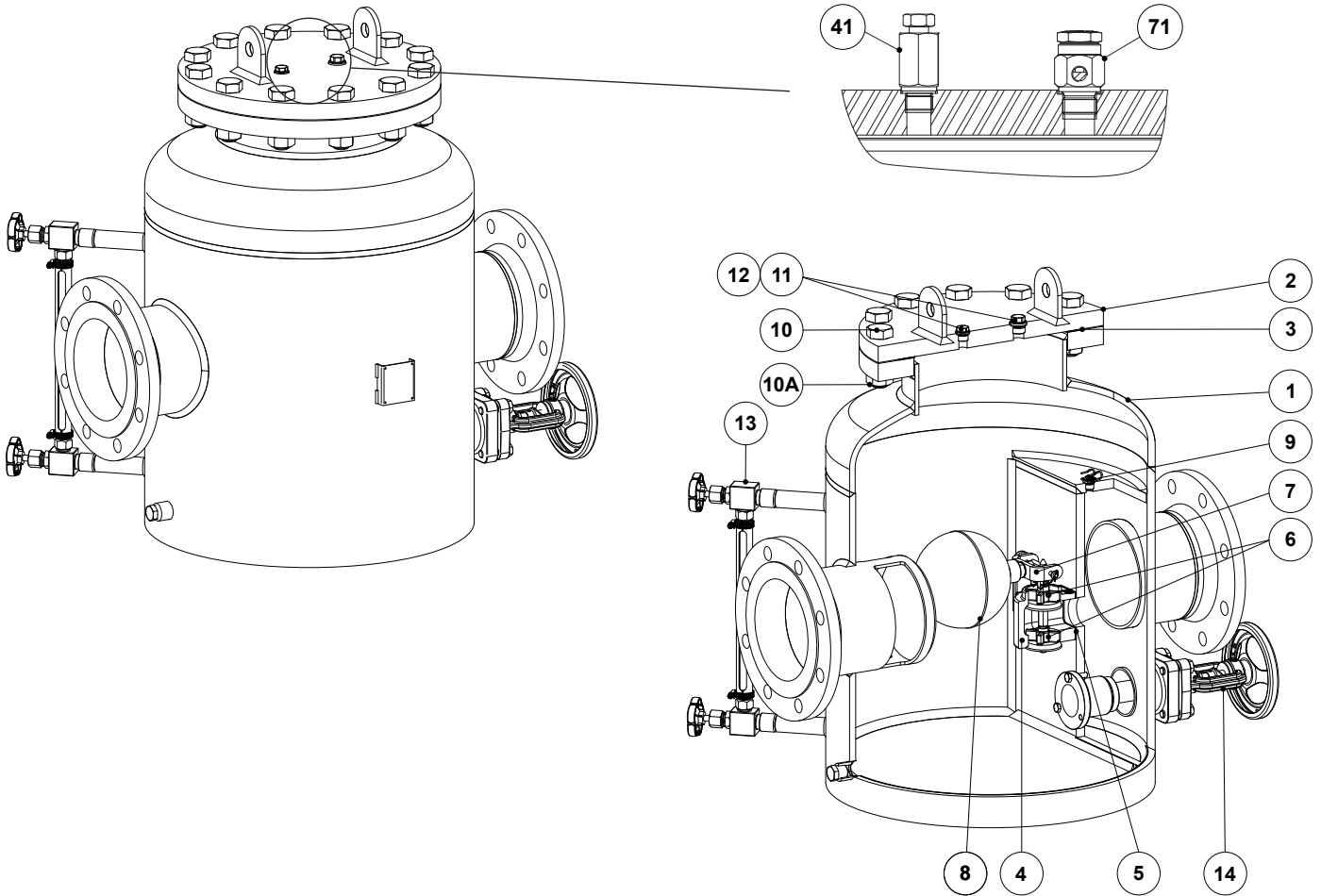
MODEL	SIZE	DIFFERENTIAL PRESSURE (bar)															
		0,1	0,3	0,5	1	1,5	2	2,5	3	3,5	4	5	6	7	8	10	12
FLT151S-O	4" to 6" DN 100 to 150	18800	22700	24500	29000	31000	34000	37000	38000	39500	42000	43500	45500	47000	48000	49500	50000



DIMENSIONS (mm)

SIZE	PN 16													CLASS 150	WGT. (kg)
	A	ØB	C	D	E	F	G	H*	I*	J	L	ØM	ØN	A	
4" – DN 100	694	457	685	275	410	451	450	3/8"	1/2"	100	35	150	22	743	170
6" – DN 150	752	508	730	300	430	476	475	3/8"	1/2"	100	35	150	22	820	202

* As standard, in versions with EN flanges, these connections are female threaded ISO 228. In versions with ASME flanges, these connections are female threaded NPT.



MATERIALS		
POS. No.	DESIGNATION	MATERIAL
1	Body	P265GH / 1.0425; P235GH / 1.0345; S235JR / 1.0038; A105 / 1.0432; S355J2 / 1.0577
2	Cover	P250GH / 1.0460
3	* Gasket	Stainless steel / Graphite
4	* Seat	CF8M / 1.4408
5	* Gasket	Graphite
6	* Valve	CA-40 / 1.4027; AISI 410 / 1.4006
7	* Lever	AISI 316 / 1.4401; AISI 304 / 1.4301
8	* Float	AISI 304 / 1.4301
9	* Automatic air vent	Stainless steel (thermostatic)
10	Bolt	Steel 8.8
10A	Nut	Steel 8.8
11	Plug	AISI 316L / 1.4404
12	** Gasket	Copper
13	Level gauge	Stainless steel; Borosilicate glass
14	By-pass valve	GJS-400-18 / 1.7043; AISI 304 / 1.4301; AISI 316 / 1.4401
41	Hand vent valve	AISI 303 / 1.4305; AISI 316L / 1.4404
71	Vacuum breaker	AISI 303 / 1.4305

* Available spare parts; ** Not applicable in NPT version.