

**BALANCED PRESSURE
THERMOSTATIC STEAM TRAP
Clean Steam Trap TSS6
(1/2" – 11/2")**

DESCRIPTION

The TSS6 all stainless steel thermostatic steam traps and air vents are specifically designed for use in reactors, sterilizers and distribution lines in clean and pure steam systems. Their small size makes them ideal for use with a wide variety of these equipment.

MAIN FEATURES

- Modulating discharge.
- Wide range of connections options.
- Excellent air discharge.
- Simple and compact design.

STANDARD SURFACE FINISH

Internal wetted parts: ≤ 0,51micron Ra – SF1.
External: ≤ 0,76 micron Ra – SF3.
Other surface conditions see IS PV20.00 E – Technical information.
Ultrasonic cleaning.

OPTIONS: Special designs under request.
Different standard connection.

USE: Saturated clean steam.

AVAILABLE MODELS: TSS6.

SIZES: 1/2" to 11/2" ; DN 08 to DN 25.

CONNECTIONS: ASME BPE, DIN and ISO.
Clamp ferrules or tube weld ends on request.

PACKAGING: Assembling and packaging in a clean room certified according to ISO 14644-1.
The product is end capped and sealed with recyclable thermo-shrinkable plastic film, to avoid contamination.

INSTALLATION: Vertical installation.

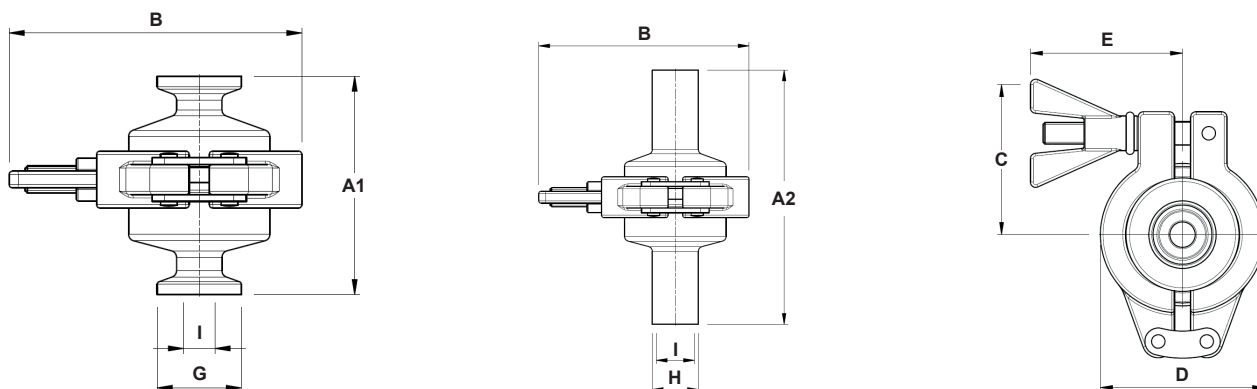


LIMITING CONDITIONS	
PMA – Maximum allowable pressure	10 bar
TMA – Maximum allowable temperature	177 °C
PMO – Maximum operating pressure	6 bar
TMO – Maximum operating temperature	165 °C

FLOW RATE CAPACITY (kg/h)										
MODEL	SIZE	DIFFERENTIAL PRESSURE (bar)								
		0,2	0,3	0,5	1	1,5	2	3	4	6
TSS6 (A)	1/2" to 11/2"	320	380	410	550	680	909	1081	1199	1403
TSS6 (B)	1/2" to 11/2"	470	495	518	697	792	1026	1231	1436	1682

A = Condensate discharge at 5 °C below saturation temperature. **B** = Cold water capacity around 20 °C.

DIMENSIONS



DIMENSIONS (mm) ASME BPE

SIZE	A1	A2	B	C	D	E	G *	H	I	WEIGHT (kg)
1/2"	65	95	87	57,5	61	56,5	25	12,7	9,4	0,7
3/4"	65	95	87	57,5	61	56,5	25	19,05	15,75	0,7
1"	65	95	87	57,5	61	56,5	50,5	25,4	22,1	0,8
1 1/2"	65	NA	87	57,5	61	56,5	50,5	NA	34,8	0,8

DIMENSIONS (mm) DIN

SIZE	A1	A2	B	C	D	E	G *	H	I	WEIGHT (kg)
DN 10	65	95	87	57,5	61	56,5	34	13	10	0,7
DN 15	65	95	87	57,5	61	56,5	34	19	16	0,7
DN 20	65	95	87	57,5	61	56,5	34	23	20	0,8
DN 25	65	95	87	57,5	61	56,5	50,5	29	26	0,8

Clamp ferrules DIN 32676 Series A; Tube weld DIN 11866 Series A (DIN 11850 Series 2).

DIMENSIONS (mm) ISO

SIZE	A1	A2	B	C	D	E	G *	H	I	WEIGHT (kg)
DN 08	65	95	87	57,5	61	56,5	25	13,5	10,3	0,7
DN 10	65	95	87	57,5	61	56,5	25	17,2	14	0,7
DN 15	65	95	87	57,5	61	56,5	50,5	21,3	18,1	0,8
DN 20	65	95	87	57,5	61	56,5	50,5	26,9	23,7	0,8
DN 25	65	95	87	57,5	61	56,5	50,5	33,7	29,7	0,7

Clamp ferrules DIN 32676 Series B; Tube weld DIN 11866 Series B (ISO 1127 Series 1).

* Special versions or non-standard sanitary clamp ferrules are available on request.

MATERIALS

POS. N°	DESIGNATION	MATERIAL
1	Body	AISI 316L / 1.4404
2	Cover	AISI 316L / 1.4404
3	* Thermostat	AISI 316L / 1.4404
4	* Gasket	PTFE / TFM® Envelope gasket
5	Safety clamp	AISI 316 / 1.4401

* Available spare parts.

Remarks: FDA / USP Class VI seals certificate on request.

