

HUMIDITY SEPARATORS

S25 HV and S25 VH

PN 16 and PN 40

DESCRIPTION

The S25 HV and VH series centrifugal separators remove moisture from steam and compressed air pipelines. Steam and compressed air pass through the separator and, as a result of centrifugal forces, impacts and swirling effects, the particles with a heavier specific gravity, such as water and oil droplets, moisture in suspension, dirt and scale are separated from the fluid.

The condensate collected at the bottom of the separator must be automatically drained by a suitable steam or compressed air trap.

MAIN FEATURES

Several possibilities of installation.

No moving parts.

OPTIONS: Flanged condensate connection.

USE: Steam, compressed air and other gases (Group 2).

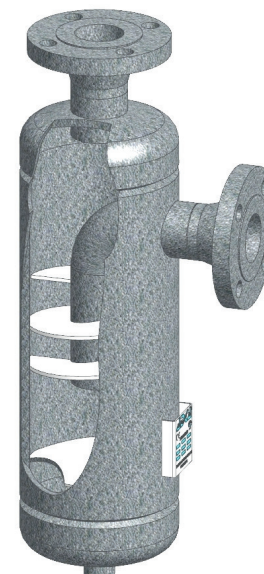
AVAILABLE

MODELS: S25/S HV or VH – carbon steel.
S25/SZ HV or VH – zinc plated steel.

SIZES: 1/2" to 8"; DN 15 to DN 200.

CONNECTIONS: Flanged EN 1092-1 PN 16 or PN 40.
Flanged ASME B16.5 Class 150 or 300 on request.
Female threaded ISO 7 Rp or NPT on request.

INSTALLATION: Always with the condensate discharge pointing downwards.
See IMI – Installation and maintenance instructions.



CE MARKING – GROUP 2 (PED – European Directive)

PN 16	Category	PN 40	Category
1/2" to 1" – DN 15 to 25	SEP	1/2" to 1 1/4" – DN 15 to 32	1 (CE marked)
1 1/4" to 2" – DN 32 to 50	1 (CE marked)	1 1/2" to 3" – DN 40 to 80	2 (CE marked)
2 1/2" to 5" – DN 65 to 125	2 (CE marked)	4" to 6" – DN 100 to 150	3 (CE marked)
6" to 8" – DN 150 to 200	3 (CE marked)	8" – DN 200	4 (CE marked)

BODY LIMITING CONDITIONS *

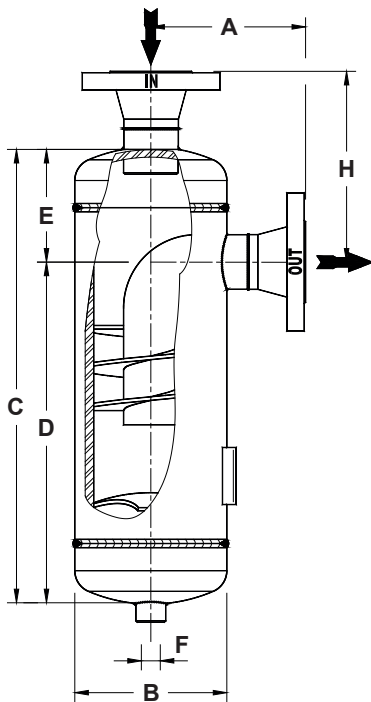
FLANGED PN 16		FLANGED CLASS 150		FLANGED PN 40 / CLASS 300	
ALLOW. PRESS.	RELATED TEMP.	ALLOW. PRESS.	RELATED TEMP.	ALLOW. PRESS.	RELATED TEMP.
16 bar	50 °C	16 bar	50 °C	40 bar	50 °C
14 bar	100 °C	14 bar	100 °C	37 bar	100 °C
13 bar **	195 °C	13 bar **	195 °C	31 bar **	239 °C
12 bar	250 °C	–	–	27 bar	300 °C

* Rating according to EN 1092-1:2018; ** PMO – Maximum operating pressure for saturated steam.
Minimum operating temperature: -10 °C; Design code: AD-Merkblatt.

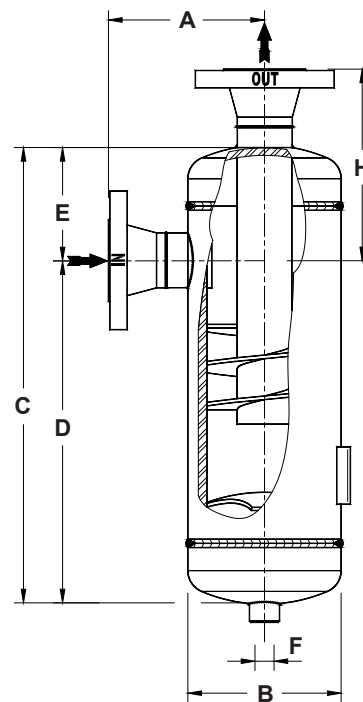
MATERIALS	
DESIGNATION	MATERIAL
Body	P235GH / 1.0325
Heads	P265GH / 1.0425
Inlet / outlet pipes	P235GH / 1.0325
EN flanges	P250GH / 1.0460
ASME flanges	ASTM A105 / 1.0432
Sockets	ASTM A105 / 1.0432
Internals	S235JR / 1.0038

FLANGE CONNECTIONS			
Rating	Size	EN Standard	ASME Standard
PN 16	* DN 15 to 50	EN 1092-1 PN 40	ASME B16.5 Cl. 150
PN 16	DN 65 to 200	EN 1092-1 PN 16	ASME B16.5 Cl. 150
PN 40	DN 15 to 200	EN 1092-1 PN 40	ASME B16.5 Cl. 300

* Flanges EN 1092-1 PN 16 and PN 40, from DN 15 to DN 50, have the same number and size of holes.



VH – Direct vertical inlet / Horizontal outlet



HV – Direct horizontal inlet / Vertical outlet

APPROXIMATE DIMENSIONS (mm) *												
SIZE	A PN 16	A PN 40	A CL. 150	A CL. 300	B	C	D	E	F **	H	VOL. (L)	WGT. (kg)
1/2" – DN 15	115	115	125	130	114	260	185	75	1/2"	150	2	5
3/4" – DN 20	115	115	128	132	114	260	185	75	1/2"	160	2,5	6
1" – DN 25	115	115	131	137	114	300	200	100	1/2"	170	3	7
1 1/4" – DN 32	130	130	145	152	140	395	285	110	1/2"	188	5	12
1 1/2" – DN 40	130	130	147	154	140	435	325	110	1/2"	195	5,7	13,8
2" – DN 50	155	155	170	177	168	505	385	120	1/2"	207	10,5	19,5
2 1/2" – DN 65	190	197	215	221	219	550	410	140	3/4"	261	18,5	32
3" – DN 80	200	205	220	230	219	610	462	148	3/4"	295	25	38
4" – DN 100	235	245	260	267	273	715	528	187	3/4"	345	35,4	57
5" – DN 125	268	280	303	311	324	845	630	215	1"	435	50	81,5
6" – DN 150	283	303	316	326	356	962	692	270	1"	475	75	153
8" – DN 200	303	329	343	352	406	1170	880	290	1"	500	140	195

* For certified values, consult manufacturer. Volume and weight refer to PN 16 version. Other versions may have slightly different values.
 ** As standard, in separators manufactured with EN 1092-1 flanges, the drain connection is female threaded ISO 7 Rp. In models with ASME B16.5 flanges, this connection is female threaded NPT. Alternatively, EN 1092-1 or ASME B16.5 flanged drain connections can be supplied (ASME on the same class as main connections).