

HUMIDITY SEPARATORS S16/S PN16

DESCRIPTION

The S16 series centrifugal separators remove moisture from steam and compressed air pipelines. Steam and compressed air pass through the separator and, as a result of centrifugal forces, impacts and swirling effects, the particles with a heavier specific gravity, such as water and oil droplets, moisture in suspension, dirt and scale are separated from the fluid.

The condensate collected at the bottom of the separator must be automatically drained by a suitable steam or compressed air trap.

MAIN FEATURES

Several possibilities of installation.
No moving parts.

OPTIONS: Zinc plated (compressed air).
Flanged condensate connection.

USE: Steam, compressed air and other gases (Group 2).

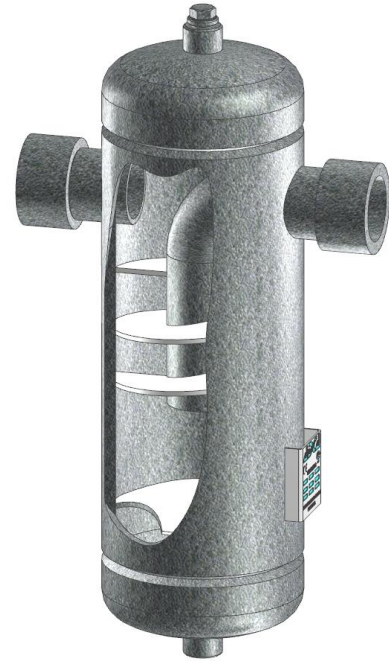
AVAILABLE MODELS: S16/S – carbon steel body.

SIZES: 1/2" to 2".

PIPE CONNECTIONS: Screwed BSP or NPT.

INSTALLATION: Always with the condensate discharge pointing downwards.
See IMI – Installation and maintenance instructions.

HOW TO SELECT: Generally, in an existing plant, it is advisable to fit a separator with the same size as the pipeline. Pressure drop is normally negligible. For approximate pressure drop calculation, consult factory.



CE MARKING – GROUP 2 (PED – European Directive)	
PN16	Category
1/2" to 1"	SEP
1 1/4" to 2"	1 (CE marked)

LIMITING CONDITIONS		
	Pressure (bar)	Temp. (°C)
PN16	16	50
	14	100
	13 *	195
	12	250

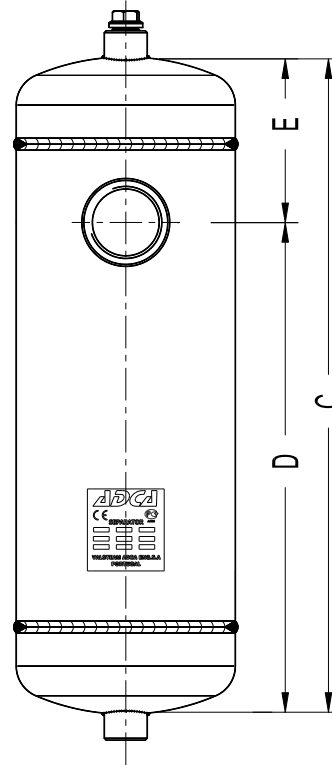
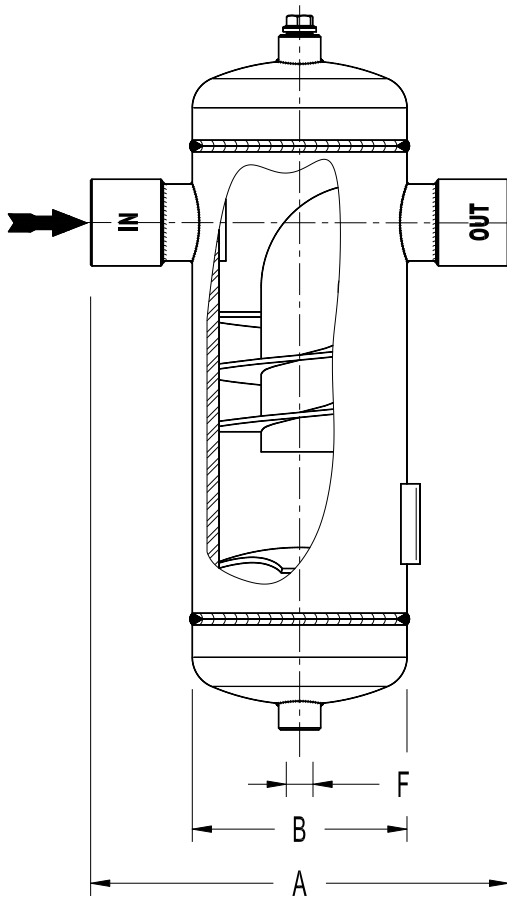
* PMO – Max. operating temperature for saturated steam;
** Rating according to EN 1092-1:2018;
Min. operating temp.: -10 °C; Design code: AD-Merkblatt.

APPROXIMATE DIMENSIONS (mm) *								
SIZE	A	B	C	D	E	F **	VOL. (L)	WEIGHT (kg)
1/2"	218	114	260	185	70	1/2"	2	5
3/4"	218	114	260	185	75	1/2"	2,5	6
1"	230	114	300	200	100	1/2"	3	7
1 1/4"	263	140	395	285	110	1/2"	5	12
1 1/2"	263	140	435	325	110	1/2"	5,7	13,8
2"	322	168	505	385	120	1/2"	10,5	19,5

* For certified values, consult factory.

** Screwed drain connection as standard. Alternatively, EN1092-1 or ANSI flanged versions can be supplied. (ANSI on the same class as main dimensions.)

Remarks: The top of the separator is supplied with a threaded connection which size does not exceed the size of the drain connection. This connection is always supplied with a threaded socket. It can be used for air venting or balance pipe connection.



MATERIALS	
DESIGNATION	MATERIAL
Body	EN10216-2 / P235GH / 1.0325
Heads	EN10028-2 / P265GH / 1.0425
Inlet / outlet pipes	EN10216-2 / P235GH / 1.0325
Inlet / outlet sockets	ASTM A105 / 1.0432
Sockets	ASTM A105 / 1.0432
Internals	EN10025-2 / S235JR / 1.0038

EN10204 3.1 certificate available if requested with the order.