

**PNEUMATIC CONTROL VALVES**  
**PNEUMATIC ANGLE TYPE INTERCEPTION VALVE**  
**PAV21**

**DESCRIPTION**

The PAV series angle seat interception valves are designed for use with steam, gases and other fluids used in the process industry. They are the efficient solution to fluid interception in applications where flexibility and affordable cost are required.

Connections are female screwed.

**MAIN FEATURES**

- Stainless steel body with high coefficient of flow.
- Resistance to corrosion.
- Low air consumption.
- Nylon rotational servo control.
- Self-centring plug with soft sealing.
- Live loading packing gland.



- OPTIONS:** Pilot solenoid valves.  
Inductive travel switch.
- USE:** Saturated steam, water and other fluids compatible with the construction.
- AIR SUPPLY:** 5 bar – 8 bar.
- ACTUATORS**
- CONNECTIONS:** PPI-63: G1/8" NPT;  
PPI-90: G1/4" NPT.
- AVAILABLE MODELS:** PAV21 - Pneumatic angle valve.
- SIZES:** 1/2" to 2".
- CONNECTIONS:** Threaded ISO.
- AMBIENT TEMPERATURE:** -10 °C to 80 °C.

LIMITING CONDITIONS	
<b>Valve model</b>	<b>PAV21</b>
Body design conditions	PN16
Max. working temperature	200 °C
Min. working temperature	- 10 °C

CE MARKING – GROUP 2 (PED – European Directive)	
<b>PN16</b>	<b>Category</b>
1/2" to 2"	SEP

FLOW RATE COEFFICIENTS						
	SIZES					
	1/2"	3/4"	1"	1 1/4"	1 1/2"	2"
<b>Kvs</b>	4,8	9,5	18	23,2	32,7	52,6

**MAX. PERMISSIBLE PRESS. DROP (bar)**  
Normally closed valve (fluid to open)  
Reverse action actuator (air signal to open)

ACT. Type	AIR PRESSURE	SIZES					
		1/2"	3/4"	1"	1 1/4"	1 1/2"	2"
PPI-63	5 – 8 bar	16	16	14	-	-	-
PPI-90	5 – 8 bar	-	-	-	16	16	10

Note: Waterhammer free design.

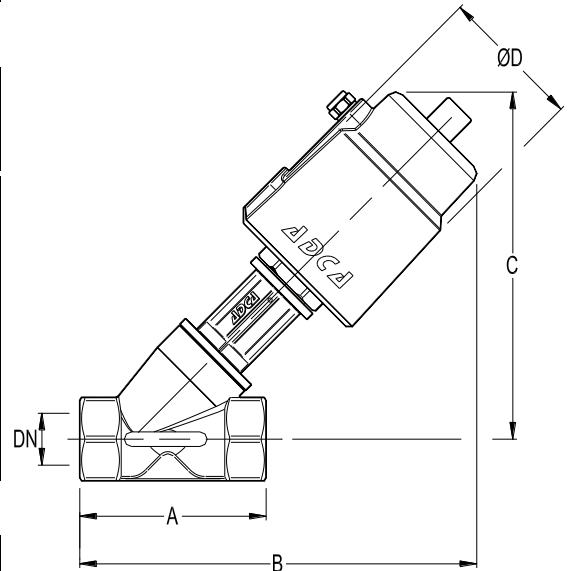
**MAX. PERMISSIBLE PRESS. DROP (bar)**  
Normally closed valve (fluid to close)  
Reverse action actuator (air signal to open)

ACT. TYPE	AIR PRESSURE	SIZES					
		1/2"	3/4"	1"	1 1/4"	1 1/2"	2"
PPI-63	5 – 8 bar	16	16	16	-	-	-
PPI-63	6 – 8 bar	16	16	16	-	-	-
PPI-63	7 – 8 bar	16	16	16	-	-	-
PPI-90	5 – 8 bar	-	-	-	16	-	-
PPI-90	6 – 8 bar	-	-	-	16	16	-
PPI-90	7 – 8 bar	-	-	-	16	16	16

Note: not recommended when controlling liquids at high speed due to waterhammer occurrence.

**DIMENSIONS (mm)**

SIZE	A	B	C		ØD		WGT. w/PPI63 (kg)	WGT. w/PPI90 (kg)
			ACTUATOR PPI-63	ACTUATOR PPI-90	ACTUATOR PPI-63	ACTUATOR PPI-90		
1/2"	68	174	155	75	155	110	1,35	2,4
3/4"	75	182	158	75	158	110	1,45	2,5
1"	90	190	166	75	166	110	1,65	2,7
1 1/4"	116	261	227	75	227	110	2,3	3,3
1 1/2"	116	265	229	75	229	110	2,55	3,5
2"	138	282	238	75	238	110	3,6	4,7

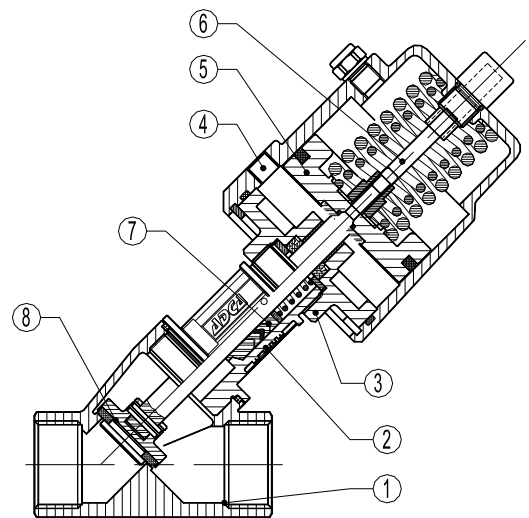


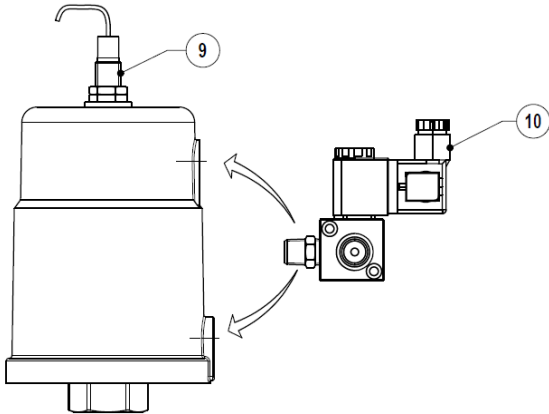
**MATERIALS**

POS. Nº	DESIGNATION	MATERIAL
1	Valve body	CF8M / 1.4408
2	Bonnet	CF8 / 1.4308
3	Actuator flange	CF8 / 1.4308
4	Actuator cover	CF8 / 1.4308
5	Piston	Aluminium
6	Indication stem	Plastic
7	* Packing	PTFE/GR
8	* Valve plug	AISI 316 / 1.4401; PTFE/GR
9	** Travel switch	Metal
10	** SV32C solenoid valve	Aluminium alloy

\* Available spare parts.

\*\* Optional.





**\*\* TRAVEL SWITCH**

The travel switch provides an electrical signal that indicates either the open or closed position of the valve. This signal is given by a non-contact electronic inductive proximity sensor.

ORDERING CODES PAV21							
<b>VALVE CODES</b>	PAV	.21	1	A	15	A	.X.
<b>Group designation</b>							
Pneumatic on-off angle valve	PAV						
<b>Valve model</b>							
Two way straight design, stainless steel construction		.21					
<b>Valve plug</b>							
PT (on-off) – Soft (PTFE/GR)			1				
<b>Pipe connection</b>							
Threaded BSP ISO 7/1 Rp				A			
<b>Size</b>							
1/2"					15		
3/4"					20		
...							
<b>Fluid direction</b>							
Fluid enters above the seat						A	
Fluid enters below the seat						B	
<b>Actuator</b>							(1)
<b>Extras (3)</b>							
Full description or additional codes have to be added in case of non-standard combination							E

ACTUATOR CODES (pneumatic)		PI.		
<b>Group designation</b>				
Piston linear actuator	PI.			
<b>Actuator size</b>				
Piston pneumatic actuator PPI 63		.63		
Piston pneumatic actuator PPI 90		.90		
<b>Actuator type</b>				
Direct action (air to close)			.D	
Reverse action (air to open)			.R	
<b>Actuator Construction</b>				
Stainless steel				(2)

→ To be introduced on ".X.", if supplied in combination with the valve.

Example:

PAV valve, on-off soft plug, DN 15, fluid entering above the seat, complete with reverse action stainless steel actuator:

Code: PAV.211A15A.90.R

**REMARKS:**

- (1) – Indicate actuator type.
- (2) – Omitted if the standard valve is selected.

ADCATrol control valves are identified by a serial number on a nameplate, located on the actuator yoke. When ordering spares, always use that serial number. If the valve has non-standard extras the serial number also has an E (extras).