

THERMODYNAMIC STEAM TRAPS DT40/2

DESCRIPTION

Thermodynamic DT40/2 disc steam traps are compact and lightweight-easy to install traps, excellent for high pressure systems, including steam tracing applications.

The insulation cover insures a consistent operation and makes it particularly suitable for those applications where the weather conditions, such as rain and wind, may affect the normal operation.

These traps have only one moving part and offer a wide operating range, without adjustment.

Connections are female screwed or flanged.

MAIN FEATURES

Intermittent discharge.

Integral air vent.

Standard insulation cover.

Operates on superheated steam.

The seat and disc can be easily replaced in field without removing the trap from the line.

Unaffected by water hammer and vibrations.

Built-in easy-to-clean strainer.

USE: Saturated and superheated steam.

AVAILABLE

MODELS: DT40/2.

SIZES: DN 3/8" to DN 1" – DN 10 to DN 25.

CONNECTIONS: Female screwed ISO7/1 Rp (BS21).
Flanged EN1092-1 PN40 or ANSI.

INSTALLATION: Horizontal installation recommended.
Can be installed in any position.

APPLICATION

LIMITS: Min. working pressure – 1,5 bar.
Max. working back pressure – 80%.



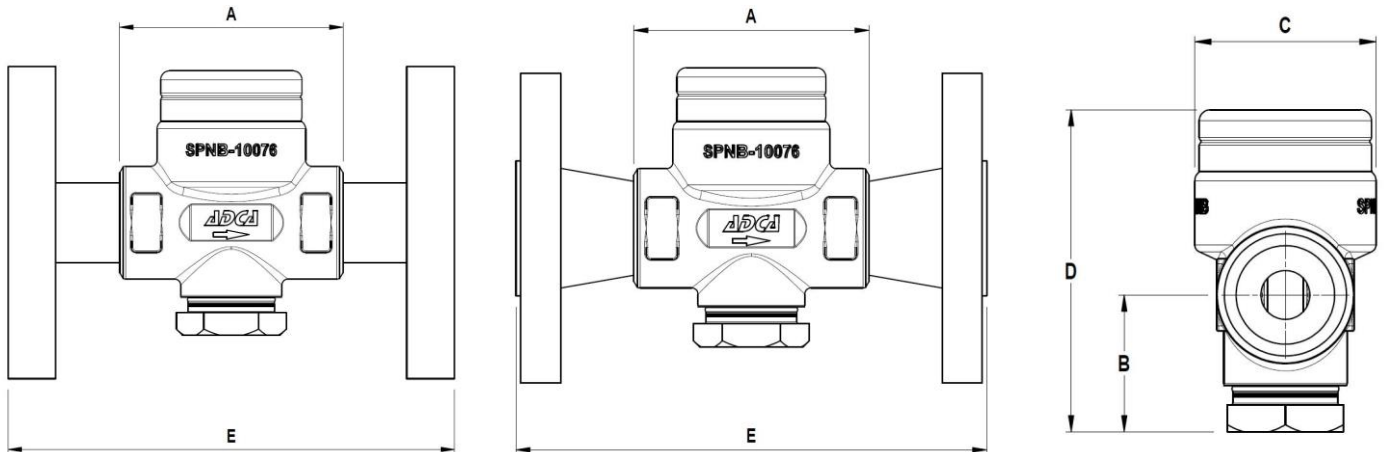
BODY LIMITING CONDITIONS			
FLANGED PN40 * / ANSI 300 lb **	FLANGED ANSI 150 lb **	THREADED / SW / BW PN63	RELATED TEMPERATURE
ALLOW. PRESS.	ALLOW. PRESS.	ALLOW. PRESS.	
40 bar	18,3 bar	63 bar	50 °C
34,4 bar	15,7 bar	54,3 bar	100 °C
28 bar	13,2 bar	44,1 bar	200 °C
24,1 bar	10,2 bar	38,1 bar	300 °C

PMO – Max. operating pressure 40 bar; TMO – Max. operating temperature 300 °C

* According to EN1092-1:2007 ; ** According to EN1759-1:2004

Body limiting conditions PN63 or below, depending on the type of connection adopted. Rating PN63 for thread, SW and BW.

FLOW RATE CAPACITY (kg/h)														
MODEL	SIZE DN	DIFFERENTIAL PRESSURE (bar)												
		1,5	3	5	7	9	12	15	18	21	24	30	35	40
DT40/2 (Hot)	3/8" – 1" 10 – 25	70	100	130	175	190	200	225	240	250	270	290	300	310
DT40/2 (Cold)	3/8" – 1" 10 – 25	170	230	300	335	390	435	485	520	575	600	645	695	740



DIMENSIONS (mm)											
Screwed and SW *						EN PN16 / PN40		ANSI 150 lb		ANSI 300 lb	
SIZE DN	A	B	C	D	WGT. (kg)	E	WGT. (kg)	E	WGT. (kg)	E	WGT. (kg)
3/8"-1/2"-10-15	75	38	50	89	1,06	150	2,50	150	2,20	150	2,60
3/4"-20	75	38	50	89	1,06	150	3,04	150	2,63	150	3,55
1" - 25	90	41	50	98	1,25	160	3,65	160	3,43	160	4,88

*BW (butt weld) on request.

MATERIALS		
POS. N°	DESIGNATION	MATERIAL
1	Body	CF8 / 1.4308
2	Cover	AISI 304 / 1.4301 AISI 303 / 1.4305
3	*Gasket	Stainless St. / Graphite
4	*Seat	Hardened st. steel
5	*Valve disc	Hardened st. steel
6	*Bimetal ring	Bimetal
7	*Washer support	AISI 304 / 1.4301
8	*Tube	AISI 304 / 1.4301
9	*Strainer screen	AISI 304 / 1.4301
10	*Gasket	Stainless St. / Graphite
11	Plug	AISI 304 / 1.4301 AISI 303 / 1.4305
12	Insulation cover	AISI 304 / 1.4301

* Available spare parts.

